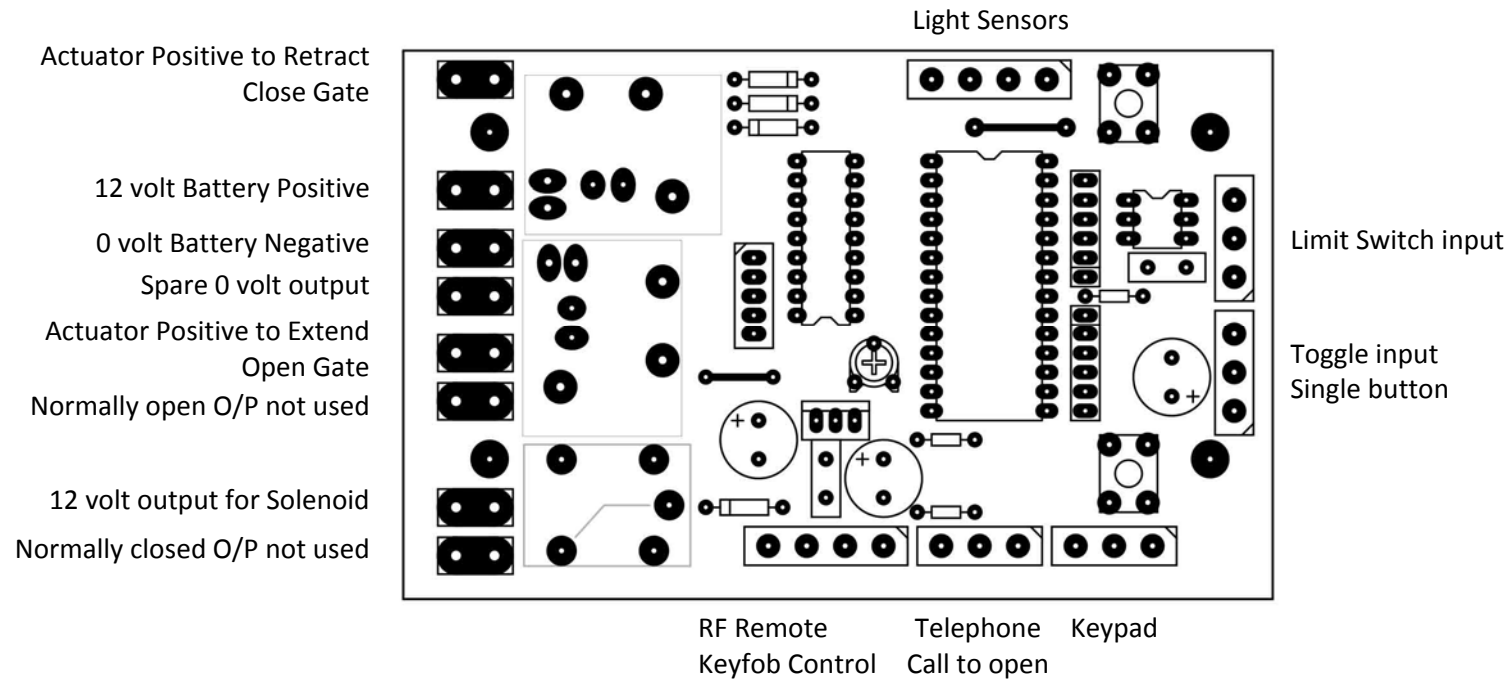
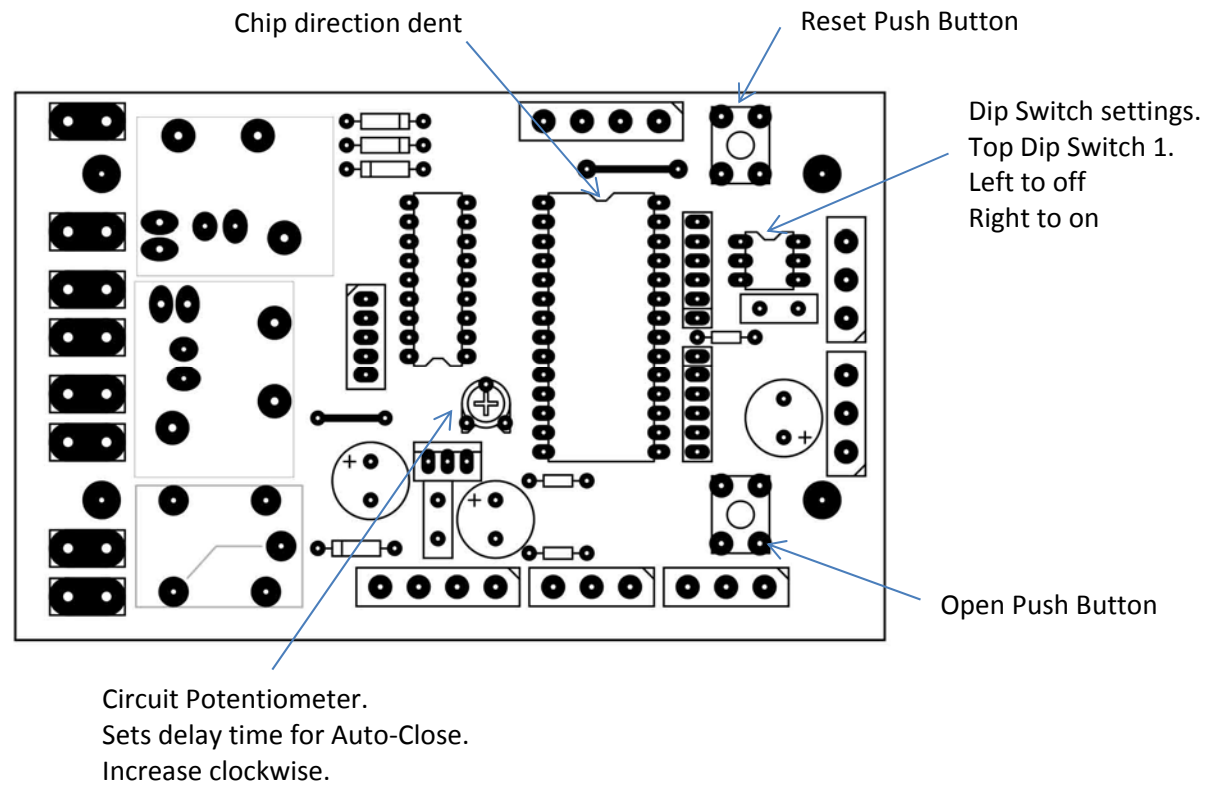


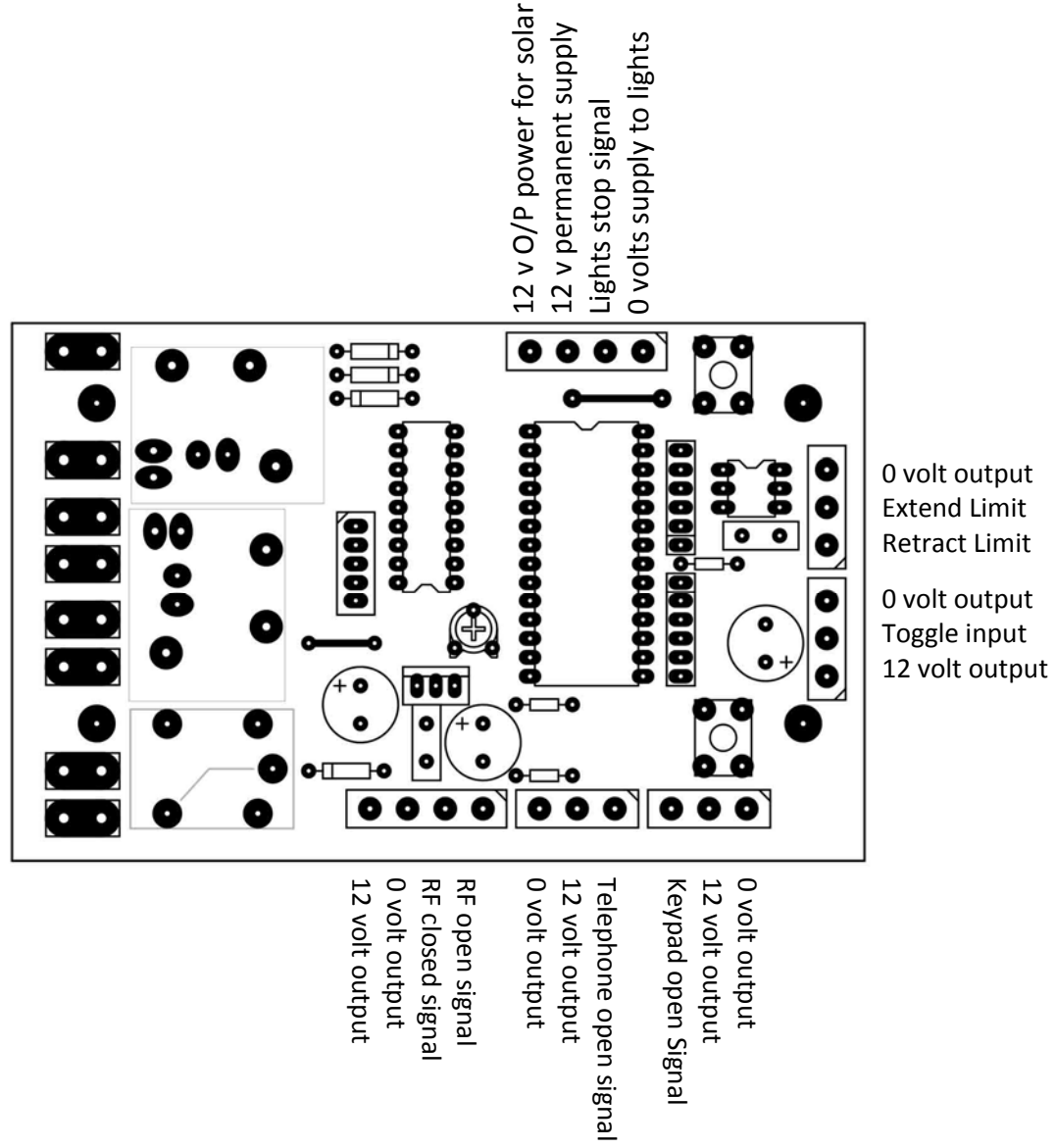
Appendix I – Power terminal and screw terminal identification



Appendix II – Circuit Board identification of salient features



Appendix III – Screw Terminal pin out identification



Appendix IV – Wire colour identification as supplied by Hollin Applications.

