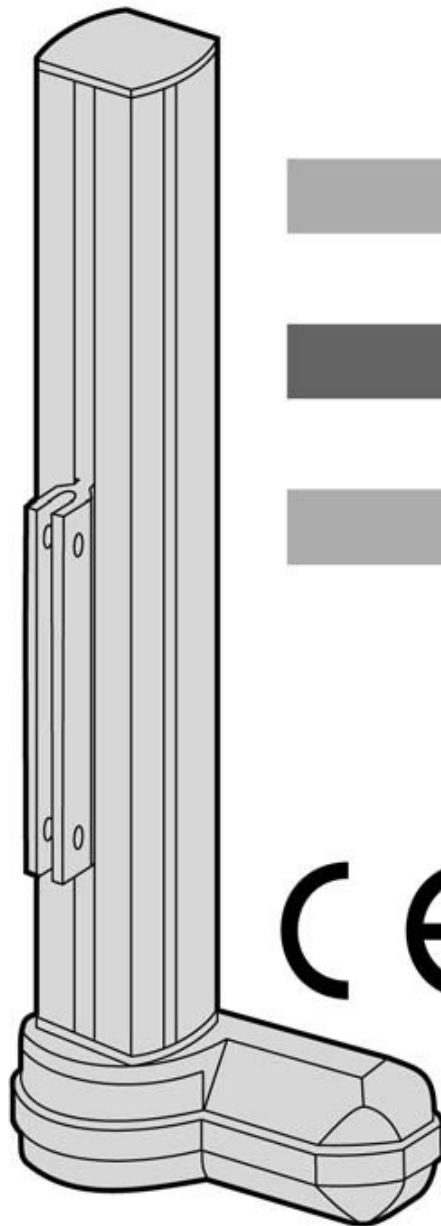




Linear Motion. Optimized.

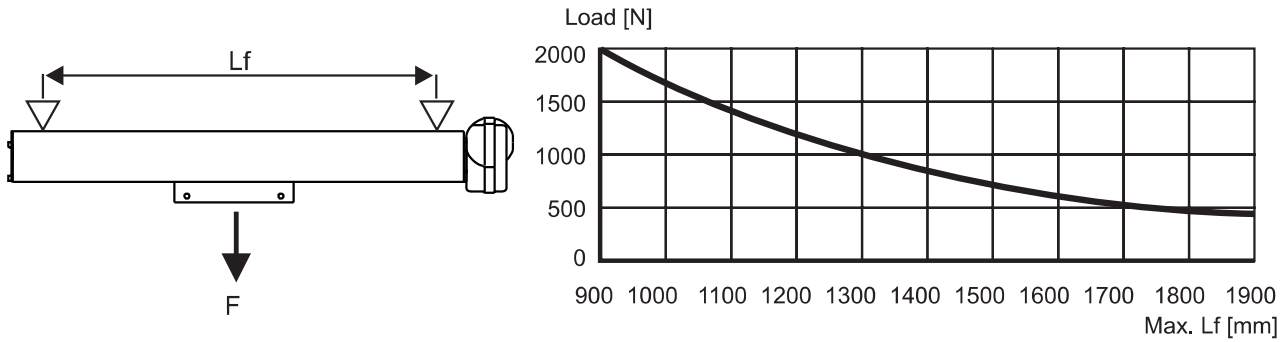
Installation manual for actuator LoadMaster 80



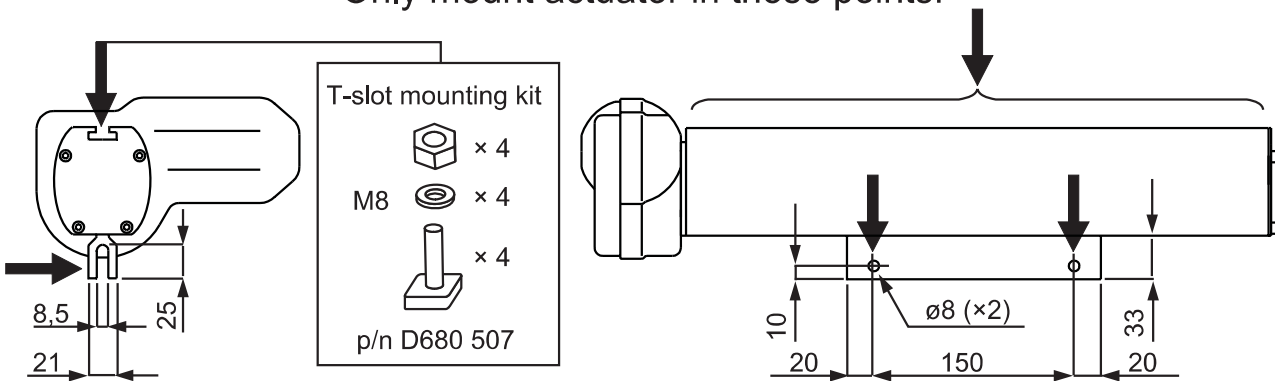
12 VDC
24 VDC

Basic mounting rules

Do not exceed the max. permissible distance between the mounting points!



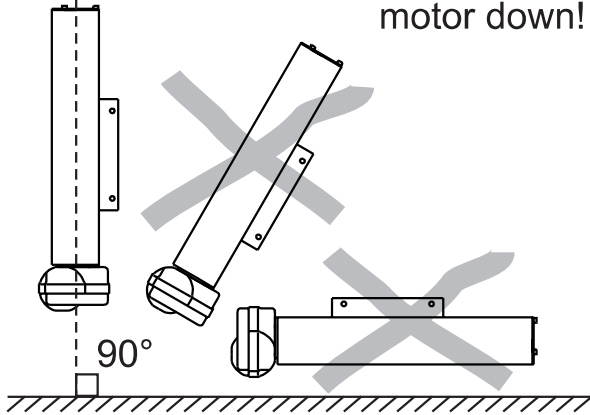
Only mount actuator in these points!



DT.....M.....V•
DT.....M.....F•

Only mount actuator in vertical position with motor down!

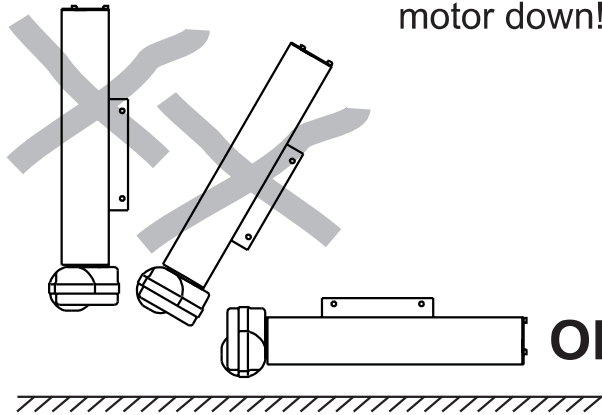
OK



DT.....M.....H•

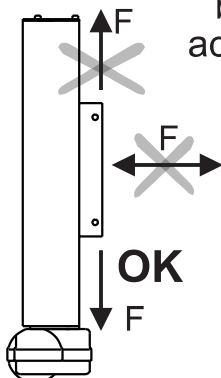
Only mount actuator in horizontal position with motor down!

OK



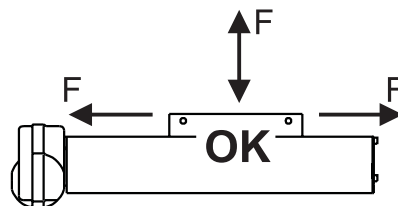
DT.....M.....V•
DT.....M.....F•

Load can only be applied to the actuator in vertical direction!

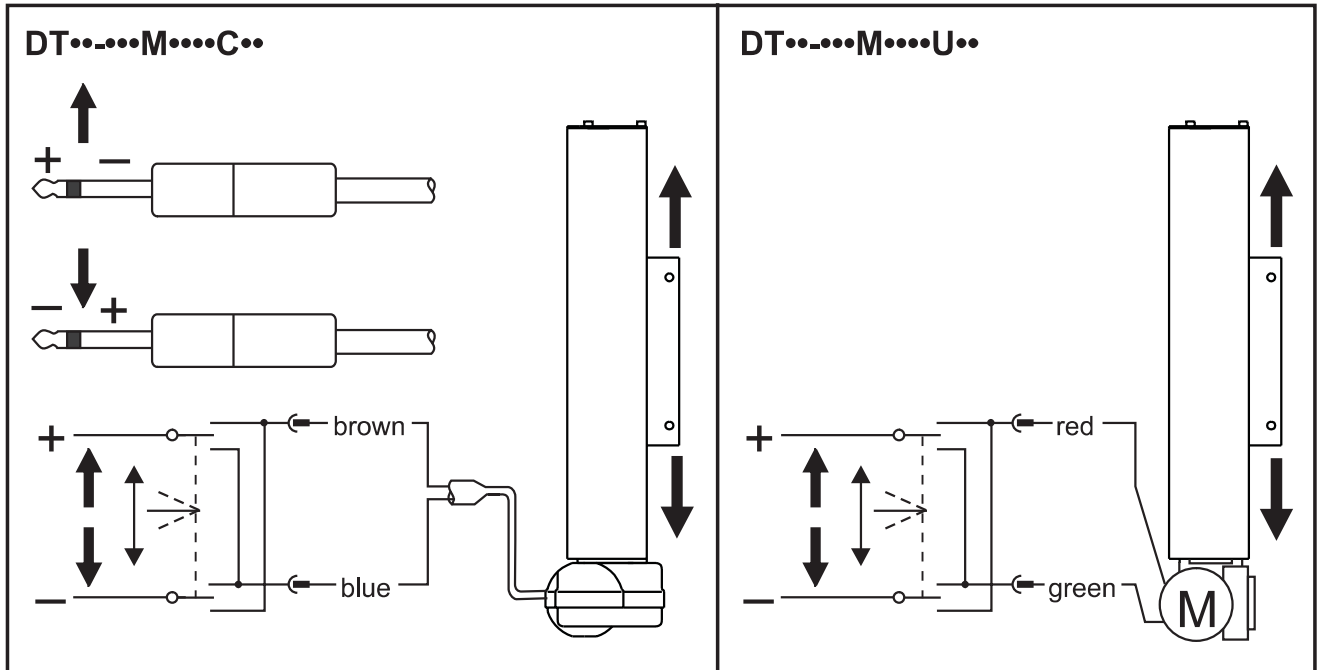


DT.....M.....H•

Load can be applied to the actuator in any direction!



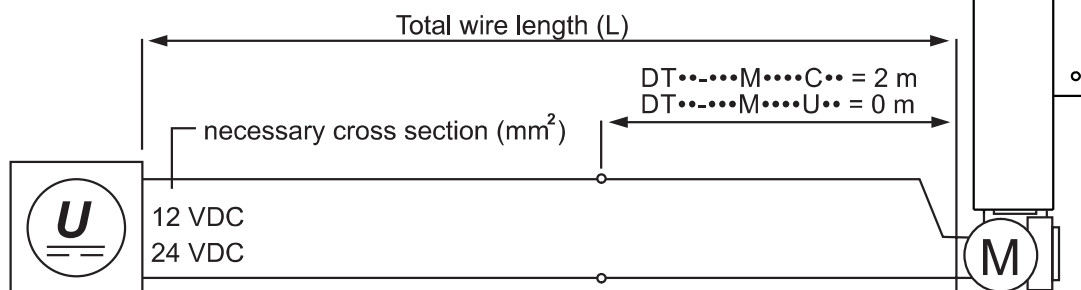
Connection of actuator



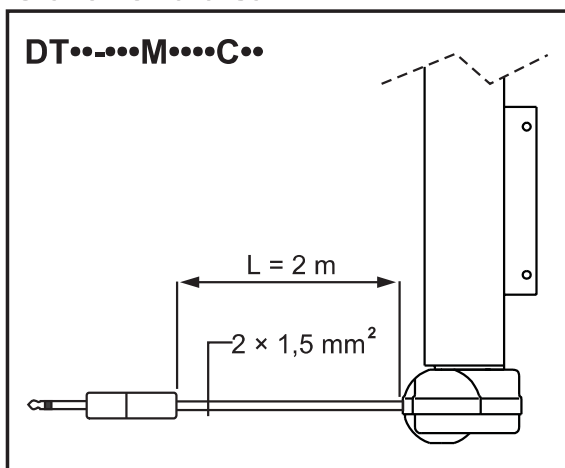
Wire cross section

Voltage (VDC)	Current (A)	mm ²		
		L = 2 m	L = 5 m	L = 9 m
12	0 – 13	1.5	2.5	4
24	0 – 7	1.5	1.5	1.5

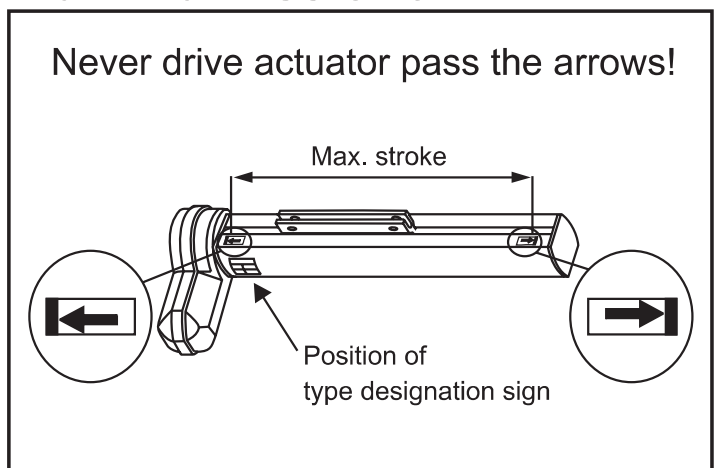
Table is based on ambient temperature = 30°C or less.



Cable data



Maximum stroke



CAUTION!

Always turn the power off before working on the actuator or the wiring.

Technical data

	DT12	DT24
Motor	DC-motor	DC-motor
Supply voltage	12 Vdc	24 Vdc
Max. current @ max. load model: DT•-T68M•••••H• model: DT•-T68M•••••V(F)• model: DT•-B52M•••••H• model: DT•-B52M•••••V(F)• model: DT•-B65M•••••H• model: DT•-B65M•••••V(F)•	10 A 15 A 10 A 16 A 4 A 14 A	5 A 7,5 A 5 A 8 A 2 A 7 A
Mounting position model: DT•-•••M•••••H• model: DT•-•••M•••••V(F)•	only horizontally only vertically with motor down	only horizontally only vertically with motor down
Duty cycle	15 % @ 20° C	15 % @ 20° C
Max. on time	2 min.	2 min.
Ambient temperature	0 – + 40 °C	0 – + 40 °C
Protection class model: DT•-•••M•••••C•• model: DT•-•••M•••••U••	IP 44 IP 30	IP 44 IP 30
Lubrication	for life	for life
Self locking model: DT•-•••M•••••H• model: DT•-•••M•••••V(F)•	no yes	no yes
Weight	kg = L × 5,7 + 2,8	kg = L × 5,7 + 2,8

<i>Options</i>	<i>Designation</i>	<i>Part number</i>
T-slot mounting kit (4 × T-slot screw, washer, nut)	–	D680 507
Control box with ELS*, 115 Vac input, one 24 Vdc output	AC-150	DF14-1F
Control box with ELS*, 115 Vac input, two 24 Vdc outputs	AC-150	DF14-2F
Control box with ELS*, 230 Vac input, one 24 Vdc output	AC-150	DF24-1F
Control box with ELS*, 230 Vac input, two 24 Vdc outputs	AC-150	DF24-2F

*ELS = Electronic Limit Switches

Always install fuse and / or thermal breaker between motor and power supply to protect actuator, wiring and other items.